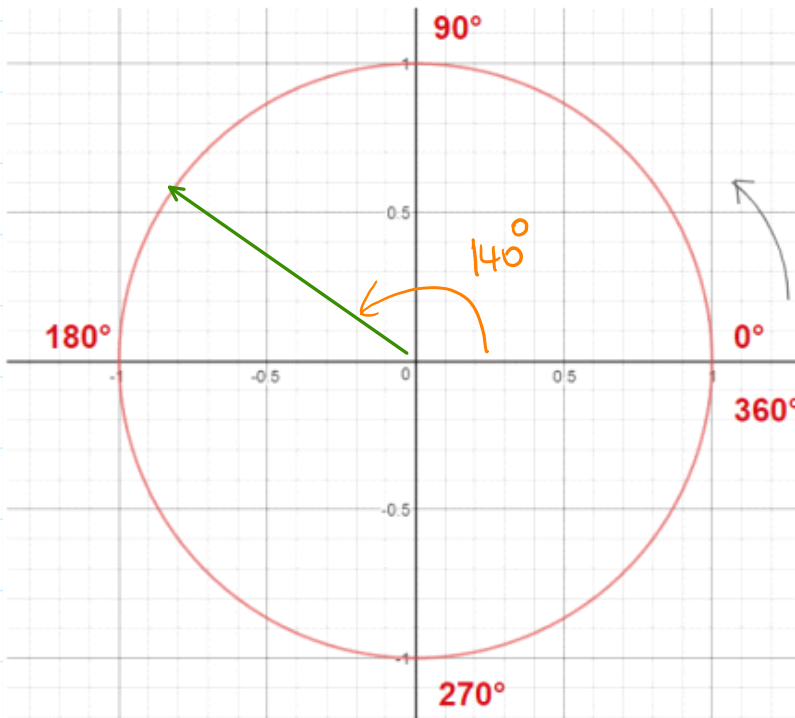


# Homework - L04-Ex1

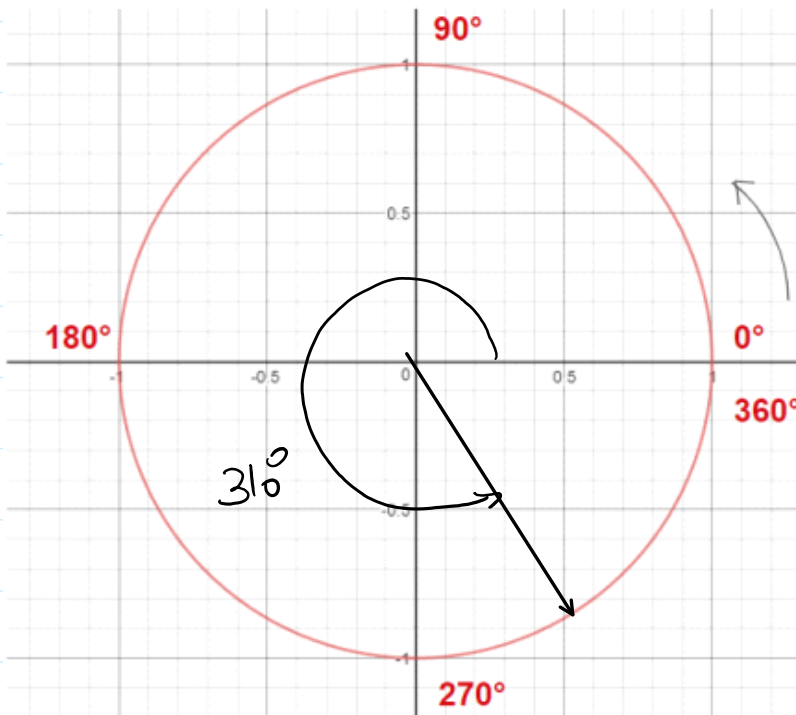
Monday, July 15, 2019 8:14 PM



Use the Unit Circle to estimate a range for

$$\rightarrow \sin 140^\circ$$

$$\rightarrow \cos 140^\circ$$



Use the Unit Circle to estimate a range for

$$\rightarrow \sin 310^\circ$$

$$\rightarrow \cos 310^\circ$$